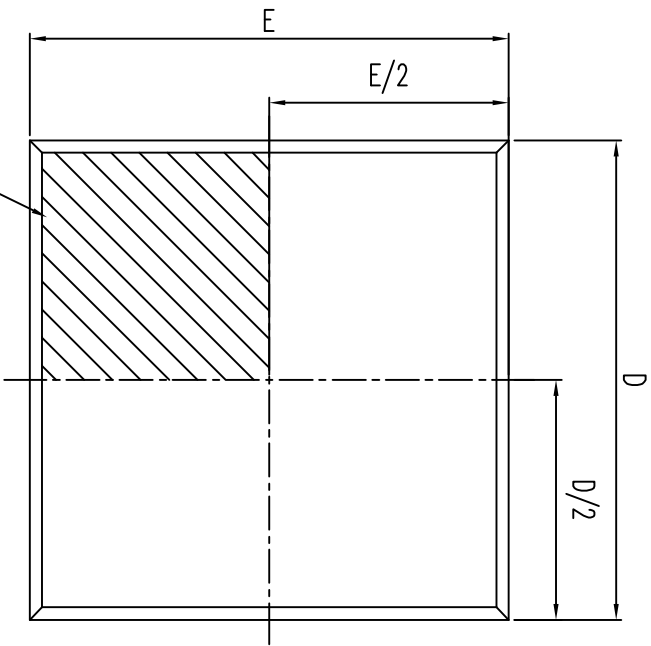
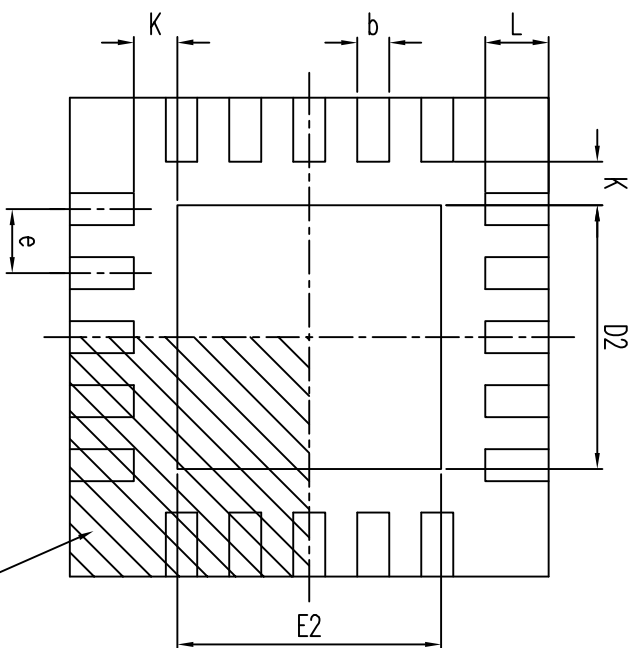


REV.	DESCRIPTION	BY	DATE
ORIG.	DRAWING ISSUE	SANDY CHEN	06.12.2015

TOP VIEW



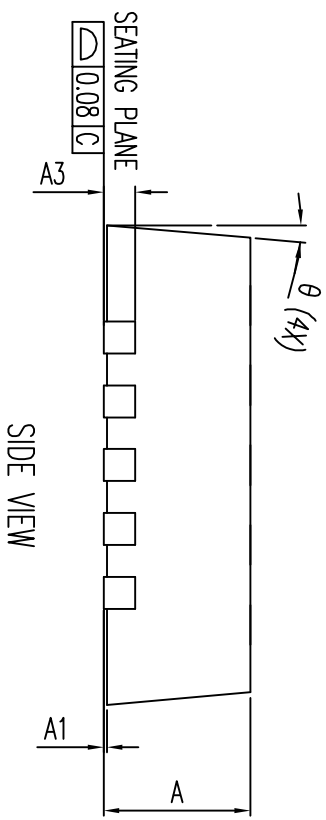
BOTTOM VIEW



SYMBOL	DIMENSION IN MM		
	MIN.	NOM.	MAX.
A	0.80	0.90	1.00
A1	0	0.02	0.05
A3	0.20 REF.		
D	3.00 BASIC		
D2	1.50	1.65	1.80
E	3.00 BASIC		
E2	1.50	1.65	1.80
e	0.40 BASIC		
b	0.15	0.20	0.25
L	0.30	0.40	0.50
K	0.20		
θ	0°		14°
JEDEC	REFERENCE MO-220		

TERMINAL #1
INDEX AREA
(D/2 X E/2)

TERMINAL #1
INDEX AREA
(D/2 X E/2)



Chant World Technology Inc.		<input type="checkbox"/>	
TITLE VOFN 20L PACKAGE OUTLINE BODY SIZE : 3 X 3 X 0.85 MM		XXXXX ±0.005 XXXXX ±0.035 XXXXX ±0.05 XXXX ±0.1 XX ±0.2	ANGULAR ± ROUGH- NESS SCALE 30 : 1 QTY
DESIGNED	SANDY CHEN 06.12.2015	UNIT	
CHECKED	SANDY CHEN 06.12.2015	FILE NAME	: VOFN20L(3x3x0.85) A3
APPROVED	SANDY CHEN 06.12.2015	DWG. NO.:	CW-PS-009A