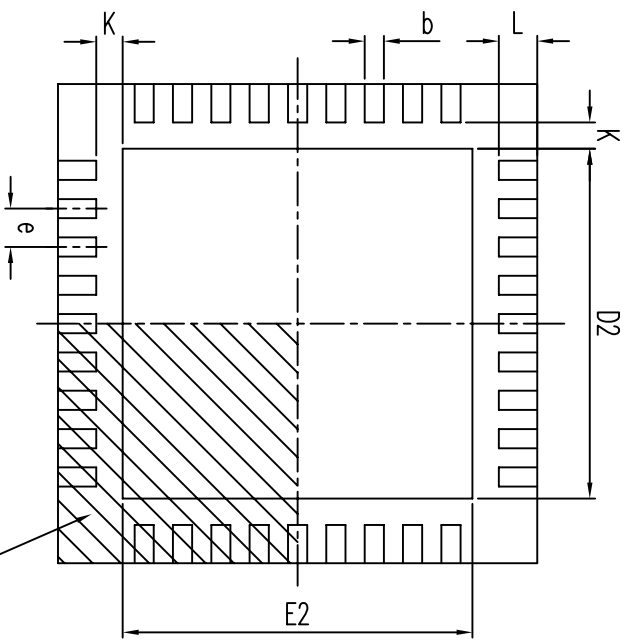
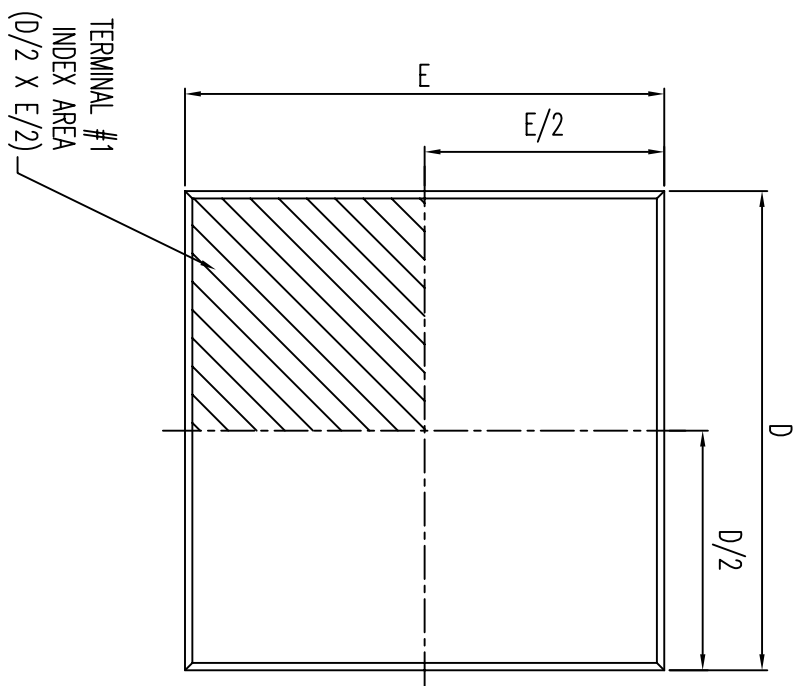


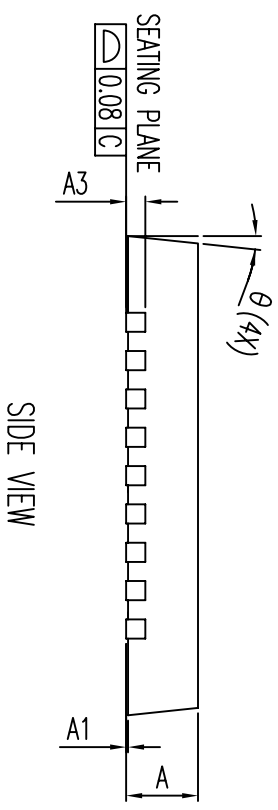
REV.	DESCRIPTION	BY	DATE
ORIG.	DRAWING ISSUE	SANDY CHEN	05.31.2016

TOP VIEW

BOTTOM VIEW



SYMBOL	DIMENSION IN MM		
	MIN.	NOM.	MAX.
A	0.70	0.75	0.80
A1	0	0.02	0.05
A3	0.20 REF.		
D	5.00 BASIC		
D2	3.50	3.65	3.80
E	5.00 BASIC		
E2	3.50	3.65	3.80
e	0.40 BASIC		
b	0.15	0.20	0.25
L	0.30	0.40	0.50
K	0.20		
θ	0°		14°
JEDEC	REFERENCE MO-220		



CWT Chant World Technology Inc.		<input type="checkbox"/>	<input checked="" type="checkbox"/>	ANGULAR	\pm
TITLE WQFN 36L PACKAGE OUTLINE		XX XXXX	±0.005	ROUGH-	∇
BODY SIZE : 5 X 5 MM		XX XXXX	±0.05	NESS	
DESIGNED SANDY CHEN 05.31.2016		XX	±0.1	SCALE	18 : 1
CHECKED SANDY CHEN 05.31.2016		XX	±0.2	QTY	
APPROVED SANDY CHEN 05.31.2016				FILE NAME : WQFN36L(5x5x0.75)	A3
				DWG. NO. : CW-PT-014A	