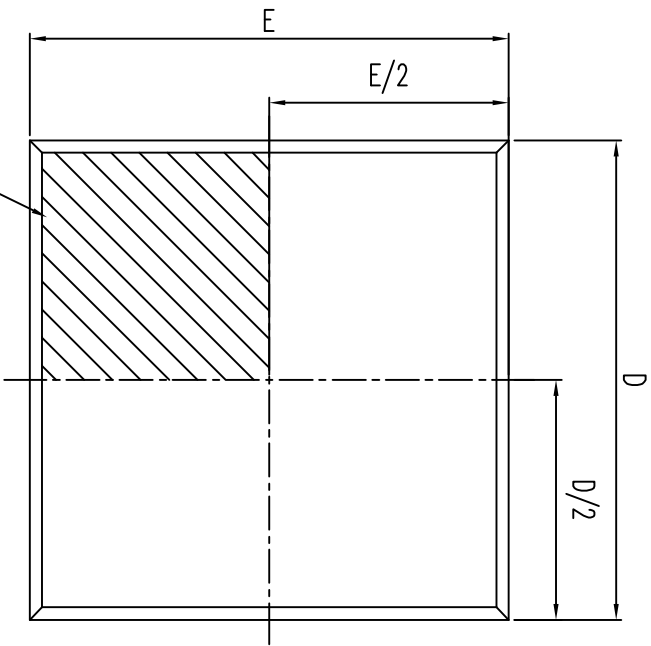
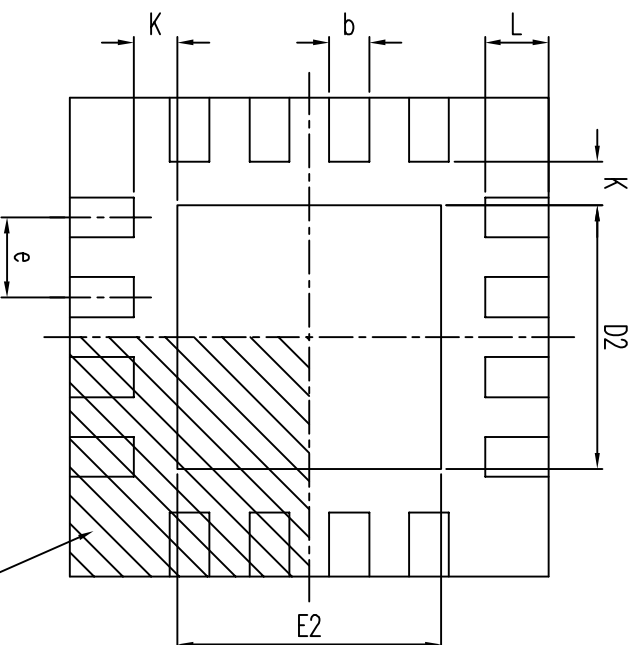


REV.	DESCRIPTION	BY	DATE
ORIG.	DRAWING ISSUE	SANDY CHEN	03.21.2014

TOP VIEW



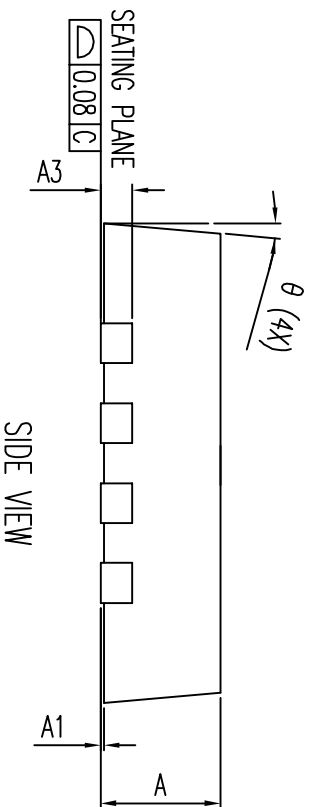
BOTTOM VIEW



SYMBOL	DIMENSION IN MM		
	MIN.	NOM.	MAX.
A	0.70	0.75	0.80
A1	0	0.02	0.05
A3	0.20 REF.		
D	3.00 BASIC		
D2	1.50	1.65	1.80
E	3.00 BASIC		
E2	1.50	1.65	1.80
e	0.50 BASIC		
b	0.18	0.25	0.30
L	0.35	0.40	0.45
K	0.20		
$\theta$	0°		14°
JEDEC	MO-220 (Variation VEED-4)		

TERMINAL #1  
INDEX AREA  
(D/2 X E/2)

TERMINAL #1  
INDEX AREA  
(D/2 X E/2)



		<input type="checkbox"/>			
<b>Chant World Technology Inc.</b>		XXXXXX ±0.005 XXXXXX ±0.035 XXXXXX ±0.075 XXXXXX ±0.150 XX ±0.2		ANGULAR ± ROUGH- NESS SCALE 30 : 1	
TITLE WOPN 16L PACKAGE OUTLINE BODY SIZE : 3 X 3 X 0.75 MM		UNIT		QTY	
DESIGNED	SANDY CHEN 03.21.2014	FILE NAME : WOPN16L(3x3x0.75)		A3	
CHECKED	SANDY CHEN 03.21.2014	DWG. NO. : CW-PT-002A			
APPROVED	SANDY CHEN 03.21.2014				