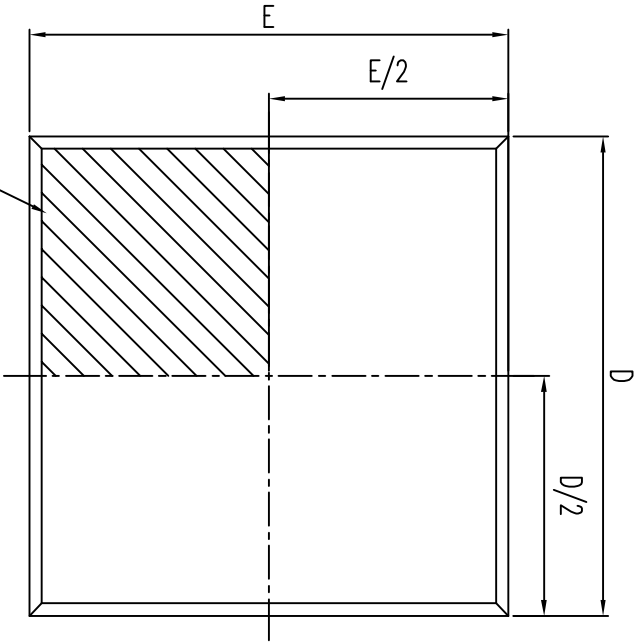
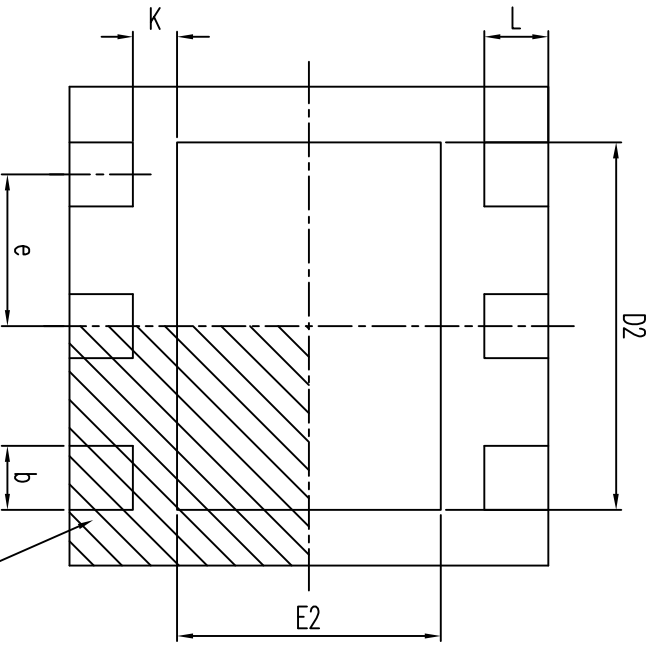


REV.	DESCRIPTION	BY	DATE
ORIG.	DRAWING ISSUE	SANDY CHEN	12.25.2014

TOP VIEW



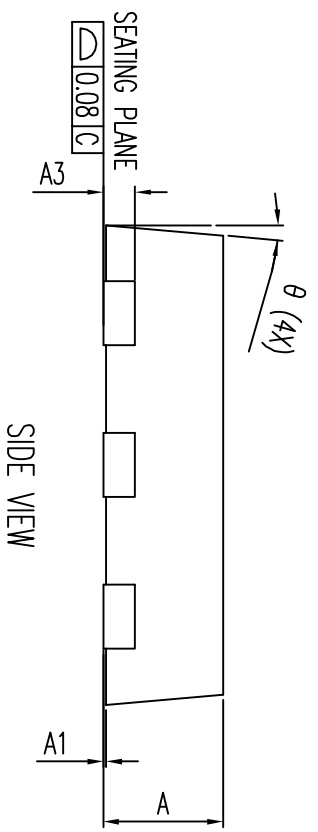
BOTTOM VIEW



SYMBOL	DIMENSION IN MM		
	MIN.	NOM.	MAX.
A	0.70	0.75	0.80
A1	0	0.02	0.05
A3	0.20 REF.		
D	3.00 BASIC		
D2	1.60		2.50
E	3.00 BASIC		
E2	1.35		1.75
e	0.95 BASIC		
b	0.30	0.40	0.45
L	0.30	0.40	0.50
K	0.20		
$\theta$	0°		14°
JEDEC			

TERMINAL #1  
INDEX AREA  
(D/2 X E/2)

TERMINAL #1  
INDEX AREA  
(D/2 X E/2)



SIDE VIEW

<b>CWT</b> Chant World Technology Inc.		<input type="checkbox"/>	<input type="checkbox"/>
TITLE WDFN 6L PACKAGE OUTLINE		XXXXXX ±0.005	ANGULAR ±
BODY SIZE : 3 X 3 X 0.75 MM		XXXXX ±0.035	ROUGH-
		XXX ±0.1	NESS
		XX ±0.2	SCALE 30 : 1
DESIGNED	SANDY CHEN 12.25.2014	UNIT	QTY
CHECKED	SANDY CHEN 12.25.2014	FILE NAME : WDFN6L(3x3x0.75)	
APPROVED	SANDY CHEN 12.25.2014	DWG. NO.: CW-PV-001A	
			A3