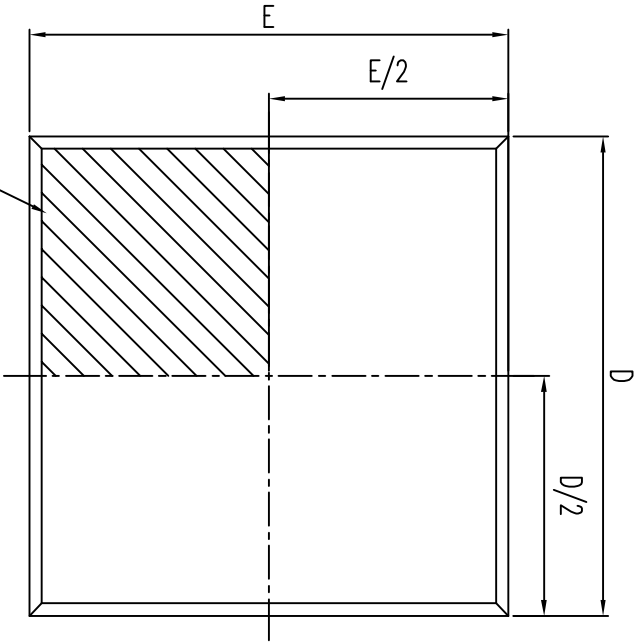
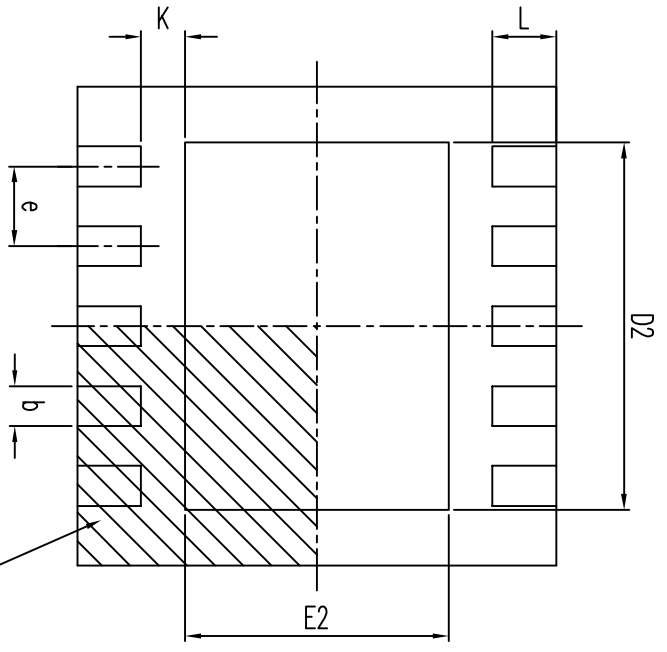


REV.	DESCRIPTION	BY	DATE
ORIG.	DRAWING ISSUE	SANDY CHEN	11.28.2014

TOP VIEW



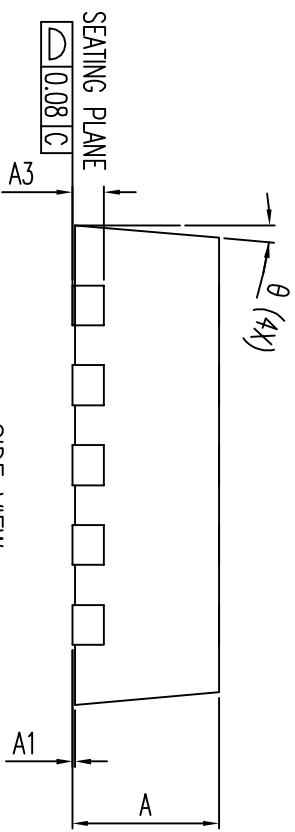
BOTTOM VIEW



SYMBOL	DIMENSION IN MM		
	MIN.	NOM.	MAX.
A	0.80	0.90	1.00
A1	0	0.02	0.05
A3	0.20 REF.		
D	3.00 BASIC		
D2	2.20		2.70
E	3.00 BASIC		
E2	1.40		1.75
e	0.50 BASIC		
b	0.18	0.25	0.30
L	0.30	0.40	0.50
K	0.20		
θ	0°		14°
JEDEC	MO-229 (Variation V3030D-5)		

TERMINAL #1
INDEX AREA
(D/2 X E/2)

TERMINAL #1
INDEX AREA
(D/2 X E/2)



SIDE VIEW

CWT Chant World Technology Inc.		<input type="checkbox"/>	<input checked="" type="checkbox"/>
TITLE VDFN 10L PACKAGE OUTLINE		XXXXXX	±
BODY SIZE : 3 X 3 X 0.85 MM		XXXXXX	ROUGH-
		XXX	NESS
		XX	SCALE
DESIGNED	SANDY CHEN 11.28.2014	UNIT	QTY
CHECKED	SANDY CHEN 11.28.2014	FILE NAME :	VDFN10L(3x3x0.85) A3
APPROVED	SANDY CHEN 11.28.2014	DWG. NO.:	CW-PJ-003A