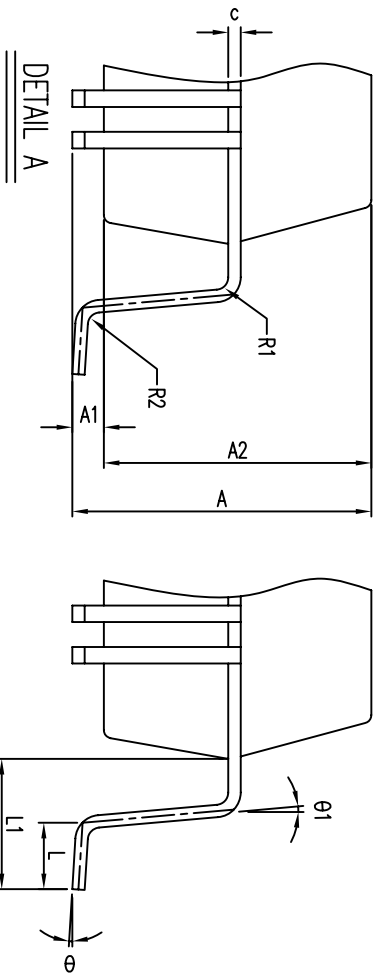
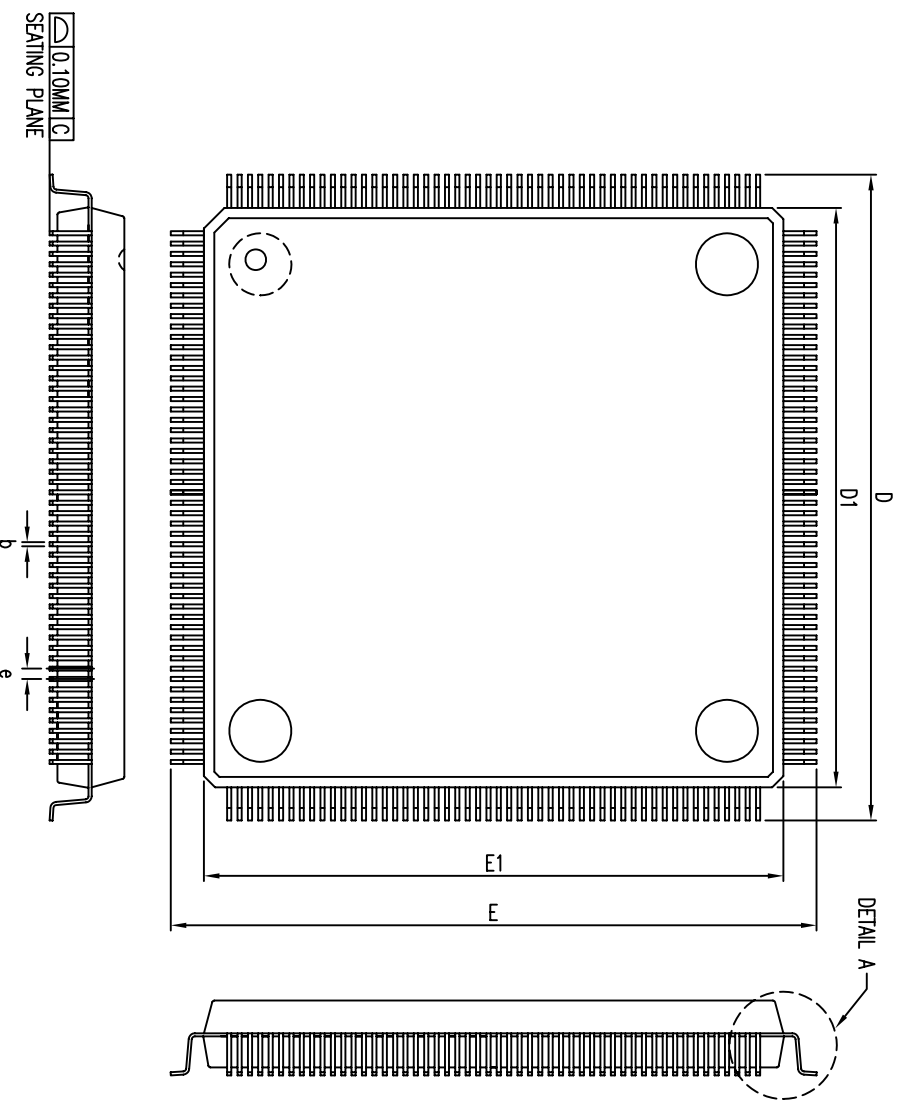


REV.	DESCRIPTION	BY	DATE
ORIG.	DRAWING ISSUE	SANDY CHEN	07.27.2006



SYMBOL	DIMENSION IN MM			DIMENSION IN INCH		
	MIN.	NOM.	MAX.	MIN.	NOM.	MAX.
A			4.07			0.160
A1	0.25			0.010		
A2	3.15	3.23	3.30	0.124	0.127	0.130
b	0.18		0.28	0.007		0.011
c	0.13		0.23	0.005		0.009
e	0.50 BASIC			0.020 BASIC		
D	30.95	31.20	31.45	1.219	1.228	1.238
D1	27.90	28.00	28.10	1.098	1.102	1.106
E	30.95	31.20	31.45	1.219	1.228	1.238
E1	27.90	28.00	28.10	1.098	1.102	1.106
L	0.65	0.80	0.95	0.026	0.031	0.037
L1	1.60 REF.			0.063 REF.		
R1	0.08			0.003		
R2	0.08		0.25	0.003		0.010
theta	0°		7°	0°		7°
theta1	0°			0°		

* NOTES: DIMENSIONS " D1 " AND " E1 " DO NOT INCLUDE MOLD PROTRUSION.
ALLOWABLE PROTRUSION IS 0.25mm PER SIDE. " D1 " AND " E1 " ARE MAXIMUM PLASTIC BODY SIZE DIMENSIONS INCLUDING MOLD MISMATCH.

CWT Chant World Technology Inc.		<input type="checkbox"/>	
TITLE	QPP 208L PACKAGE OUTLINE	XX.XXX ±0.005	ANGULAR ± 1°
	BODY SIZE : 28 X 28 MM	XX.XX ±0.03	ROUGH-NESS
	(3.2 MM FOOT PRINT)	XX ±0.1	SCALE
DESIGNED	EDGAR TU 07.27.2006	XX	SCALE
CHECKED	JONES CHAI 08.04.2006		QTY
APPROVED	SANDY CHEN 08.04.2006		
	FILE NAME : P7-208P2		
	DWG. NO.: CW-P7-025A		A3